

FIG 1-3A

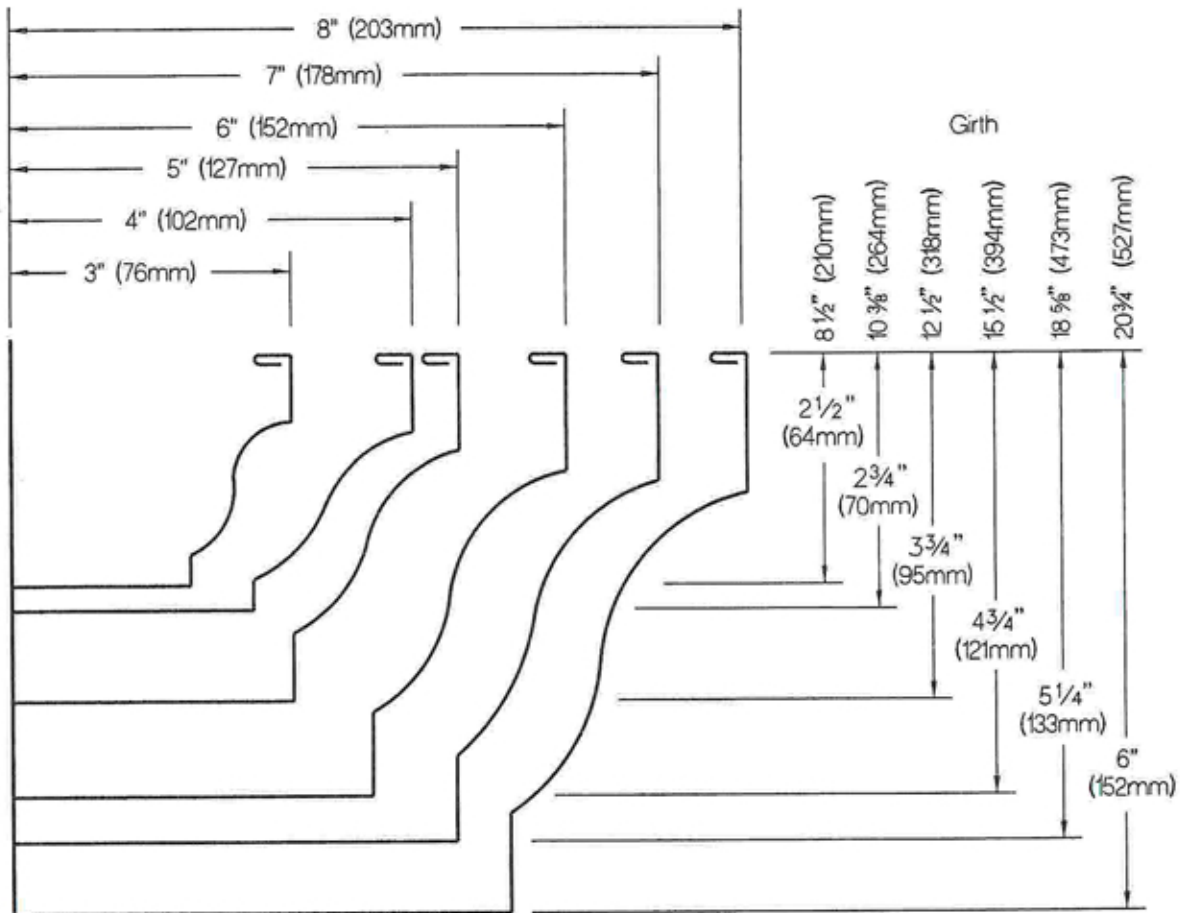


FIG 1-3B

**MANUFACTURED HALF ROUND
& OGEE GUTTER**

FIGURE 1-3